



Features & Benefits

1. High performance and reputable brand led chips and driver
2. Clear polycarbonate lens with no risk of lamp breaking for safe industry applications
3. Optimized aluminum alloy housing design for superior thermal management
4. Instant light up with no warm up time
5. No cool down needed before restart
6. High mechanical impact resistance and ingress protection rating
7. Compact in size and easy for transportation

Options

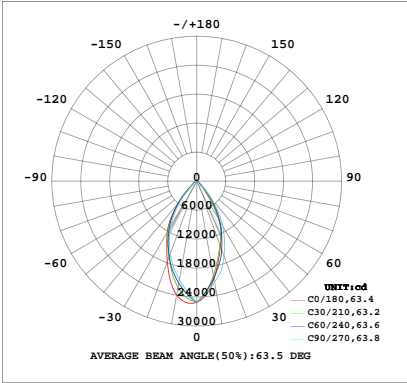
1. Safety rope
2. 1-10V Dimming
3. 60/90/120 degree lens
4. Adjustable mounting bracket
5. Microwave sensor available

Follow us

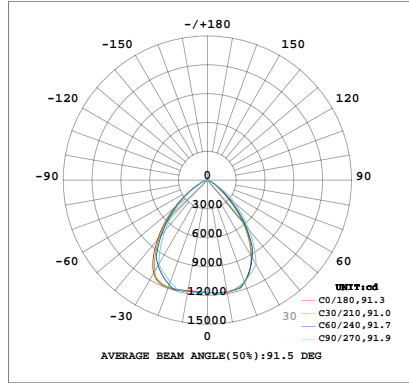




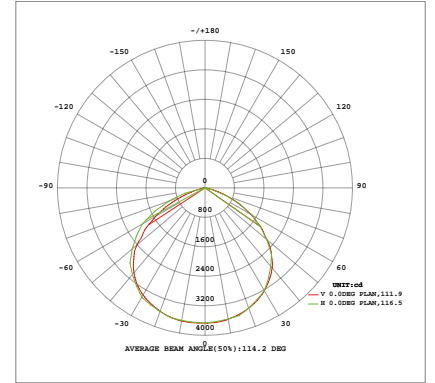
Photometry



60°

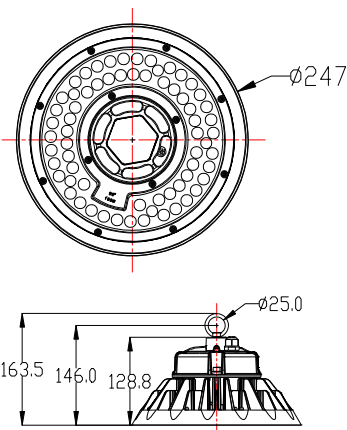


90°

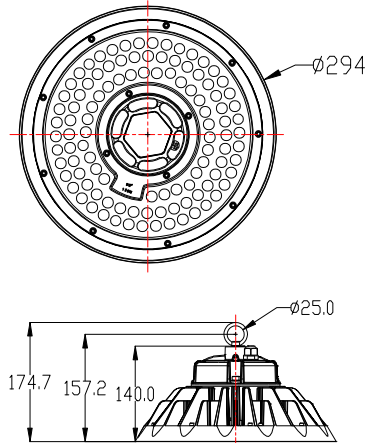


120°

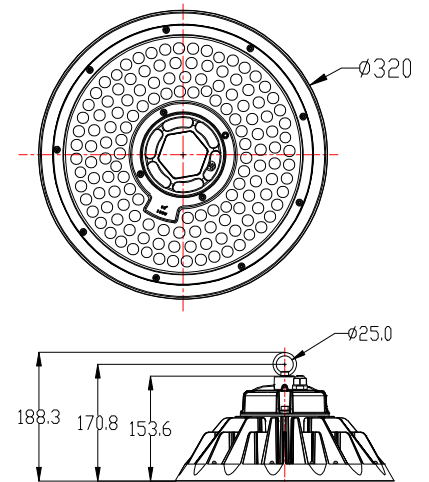
Dimensions



100W



150W



200W/240W



Specifications

- Power Consumption: 100-240W
- Luminous Flux: 14,000lm to 36,000lm
- Input Voltage: 100-277V~
- Color Temperature: 2700 - 6500K
- IP and IK Rating: IP65 and IK08
- Colour Rendering Index (Ra): 80+
- L70 lumen maintenance: >50, 000 hours
- Power factor: >0.95
- Warranty: 5 years
- Operation Temperature Range: -30°C to+50°C

Ordering Information

Part No	Power	CCT	Flux	Dimming	Diameter	Height	Beam Angle
ISL-UFO-A100W	100W	2700-6500K	14,000-15,000lm	optional	247mm	163mm	60/90/120°
ISL-UFO-A150W	150W	2700-6500K	21,000-25,500lm	optional	294mm	174mm	60/90/120°
ISL-UFO-A200W	200W	2700-6500K	28,000-30,000lm	optional	320mm	188mm	60/90/120°
ISL-UFO-A240W	240W	2700-6500K	33,600-36,000lm	optional	320mm	188mm	60/90/120°

Model	Carton Size	N.W	G.W	QTY
ISL-UFO-A100W	280*280*170mm	2.2KG	2.7KG	1PCS
ISL-UFO-A150W	330*330*180mm	3.0KG	3.5KG	1PCS
ISL-UFO-A200W	350*350*200mm	3.8KG	4.2KG	1PCS
ISL-UFO-A240W	350*350*200mm	3.8KG	4.2KG	1PCS

Telephone: +86-0755-29815402

Email: info@ishinelux.com